



DLS BARN
SOLUTIONS INC.

LA BUVETTE
The specialist in watering

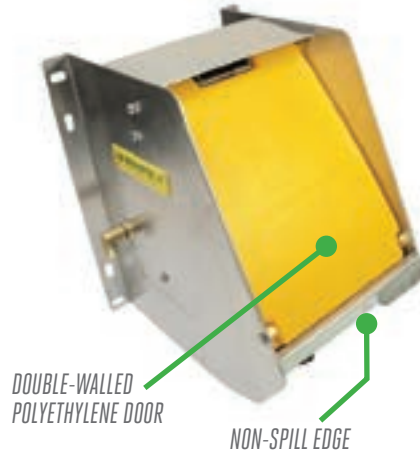




LA BUVETTE > POLYSTALL PREMIUM WATERING SOLUTIONS

POLYSTALL SINGLE

Single-access wall-mounted stainless steel drinker with constant water level and double-walled polyethylene door.
 FLOW RATE: 32 lpm/9 gpm at 43.5 psi.
 Connection 1/2"
 WATER CAPACITY: 10 L/2.6 gal



POLYSTALLS

PART NUMBER	DESCRIPTION
54544	WATERER - POLYSTALL SINGLE PREMIUM
54543	WATERER - POLYSTALL TWIN PREMIUM

POLYSTALL DOUBLE



FLOW RATE: 32 lpm/9 gpm at 43.5 psi.
 Connection 1/2"
 WATER CAPACITY: 19 L/5 gal

POLYSTALL SPECIFICATIONS

- MADE OF STAINLESS STEEL
- COMPACT AND STURDY
- INWARD FOLDED NON-SPILL EDGE
- TUBE OR WALL MOUNTING
- WITH POLYETHYLENE DOOR(S) (PREMIUM MODELS) OR WITH NO DOOR
- ANIMALS CAN ACCESS FROM FRONT OR SIDE DEPENDING ON HOW IT IS MOUNTED (POLYSTALL SINGLE)
- CONNECTION TO THE WATER SUPPLY IS POSSIBLE FROM BOTH THE LEFT AND THE RIGHT
- LARGE FLOAT VALVE WITH ADJUSTABLE HEIGHT
- DRAIN PLUG FOR EASY CLEANING



LA BUVETTE > TROUGH STYLE WATERING SOLUTIONS

MULTI 220 S

LARGE INDOOR WATER TROUGH MADE FROM HIGH DENSITY POLYETHYLENE TO QUICKLY SATISFY THE ANIMALS' WATER NEEDS AFTER BEING MILKED.



DOUBLE-WALLED HDPE

10 MOUNTING POINTS ON A SOLID CONCRETE BASE OF AT LEAST 8" (REQUIRED)

EASY CLEANING: no nooks and crannies, quickly drained (4" drain)

EASY INSTALLATION: ten floor mounting points

FLOW RATE: 36 lpm/9 gpm at 43.5 psi.

WATER CAPACITY: 145 L/38 gal



1
Connection 1/2".
Stainless steel braided hose included.



2
Quick screw off drain plug.



3
Space provided for a low-pressure float (54739) to use the lukewarm water from the milk pre-cooler.

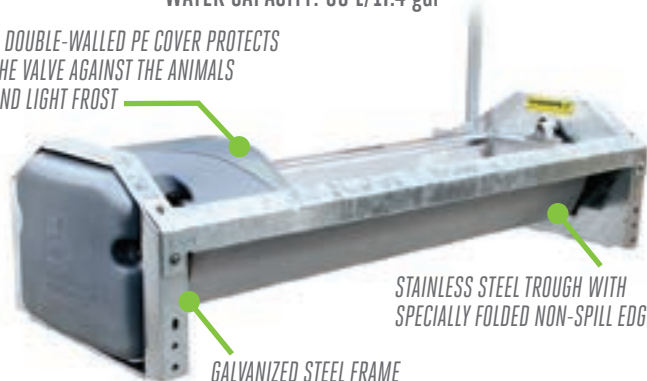
LB 150

STAINLESS STEEL TIPPING TROUGH FOR DAIRY COWS KEPT INSIDE 60" LONG FOR UP TO 3 COWS AT THE SAME TIME.

FLOW RATE: 72 lpm/19 gpm at 43.5 psi.

WATER CAPACITY: 66 L/17.4 gal

A DOUBLE-WALLED PE COVER PROTECTS THE VALVE AGAINST THE ANIMALS AND LIGHT FROST



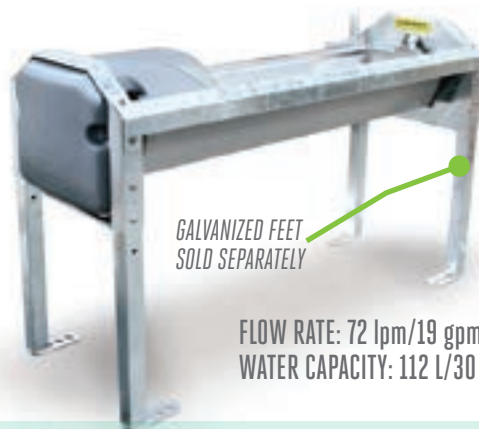
STAINLESS STEEL TROUGH WITH SPECIALLY FOLDED NON-SPILL EDGE

GALVANIZED STEEL FRAME

PART NUMBER	DESCRIPTION
54548	WATERER - MULTI ACCESS - POLY - 85" C/W FLOAT
54739	WATERER - MULTI ACCESS - LOW PRESSURE FLOAT (<1BAR)
54545	WATERER - SS SHALLOW TIP TROUGH - 60" C/W WALL MOUNT AND FLOAT
54796	WATERER - SS SHALLOW TIP TROUGH - 90" C/W WALL MOUNT AND FLOAT
54546	WATERER - SS SHALLOW TROUGH - 60" C/W WALL MOUNT, FLOAT, 4" DRAIN
55434	WATERER - SS SHALLOW TROUGH - 90" C/W WALL MOUNT, FLOAT, 4" DRAIN
54797	WATERER - SS SHALLOW TIP TROUGH - LEGS FOR FLOOR MOUNT

LB 230

STAINLESS STEEL TIPPING TROUGH FOR DAIRY COWS KEPT INSIDE 90" LONG FOR UP TO 5 COWS AT THE SAME TIME. SAME SPECIFICATIONS AS LB 150.



GALVANIZED FEET SOLD SEPARATELY

FLOW RATE: 72 lpm/19 gpm at 43.5 psi.
WATER CAPACITY: 112 L/30 gal



CUSTOMER TESTIMONIAL

"These are the greatest water troughs. Easy to clean and really quick filling!"

ROBERT VELTHUIS Eastern Ontario



LA BUVETTE > TROUGH STYLE WATERING SOLUTIONS

BAIKAL 230

LARGE WATERER WITH STAINLESS STEEL TROUGH AND FOAMED POLYETHYLENE BASE. VALVE AND TROUGH DESIGN FOR LARGE HERDS. UP TO 5 ANIMALS CAN DRINK AT THE SAME TIME.

FLOW RATE: 72 lpm/19 gpm at 43.5 psi.

WATER CAPACITY: 112 L/30 gal

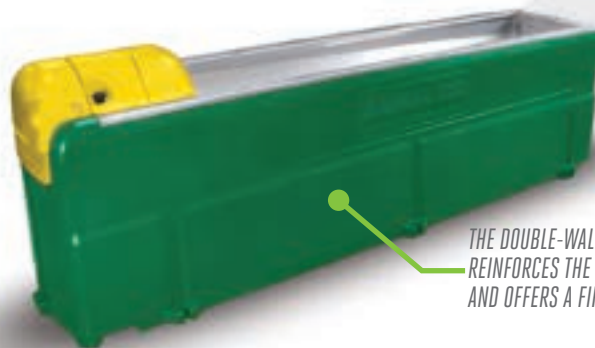
PART NUMBER	DESCRIPTION
54547	WATERER - BAIKAL - POLY W/ SS TROUGH - 90" C/W FLOAT

FROST PROTECTION: available through anti-freeze power sets

SLANTED STAINLESS STEEL TROUGH WITH NON-SPILL EDGE 90" LONG



"DRY HANDS" QUICK DRAINING SYSTEM



THE DOUBLE-WALLED FOAMED HDPE SEAMLESS BASE REINFORCES THE PROTECTION AGAINST ANIMAL IMPACTS AND OFFERS A FIRST PROTECTION FROM FROST

MICHIGAN DUO

STAINLESS STEEL DRINKER.

FLOW RATE: 72 lpm/19 gpm at 43.5 psi.

WATER CAPACITY: 52 L/14 gal

PART NUMBER	DESCRIPTION
54846	MICHIGAN DUO



"DRY HANDS"

WATERER HEATING OPTIONS

110V HEATING ELEMENTS

PART NUMBER	DESCRIPTION
52595	MULTI 220 S - MULTI TWIN S - IMMERSION STYLE HEATER - 110V, 250W
55466	COMPATIBLE WITH ALL TROUGHS - SELF-REGULATING HEAT CABLE - 110V, 250 W
55467	POLYSTALL - BAIKAL 230 - MICHIGAN DUO - STUD MOUNTED HEATER - 110V, 250W
52532	MULTI 220 S - MULTI TWIN S - CLEANO-BAC - UNDERMOUNT HEATING PAD (STICK-ON) - 110V, 250W - 12.75" X 13"
55609	HEATING ELEMENT THERMOSTAT

24V HEATING ELEMENTS (REQUIRES TRANSFORMER)

PART NUMBER	DESCRIPTION
55013	SS SHALLOW TROUGH (TIP/NON TIP) - ELECTRICAL VALVE HEATING ROD
55014	SS SHALLOW TROUGH (TIP/NON TIP) - 60" - ELECTRICAL HEATING SET
55015	MICHIGAN DUO - ELECTRICAL HEATING SET
55016	BAIKAL 230 - ELECTRICAL HEATING SET
55017	POLYSTALL - ELECTRICAL HEATING SET
55018	NORMANDY - ELECTRICAL HEATING SET

THE MICHIGAN DUO ADVANTAGE

EXCELLENT RESISTANCE TO THE COLD FOR TWO HEADS WITH CONSTANT LEVEL ON A PEHD BASE

STURDINESS LINKED TO FOOD SAFETY

QUICK WATER SUPPLY FOR HIGH DRINKING COMFORT

EASY CLEANING



LA BUVETTE > ENERGY FREE DRINKERS

THERMOLAC

WHILE THE ANIMALS DRINK, THE DRINKER IS FILLED WITH FRESH WATER AND THE DOUBLE WALL, FILLED WITH HIGH DENSITY POLYURETHANE FOAM, KEEPS IT AT CONSTANT TEMPERATURE.



FLOW RATE: 34 lpm/9 gpm at 43.5 psi.
WATER CAPACITY: 40 L/11 gal



FLOW RATE: 34 lpm/9 gpm at 43.5 psi.
WATER CAPACITY: 75 L/19.8 gal

4" DIAMETER DRAINING HOLES
WITH INSULATED PLUG



ENERGY FREE DRINKERS

- FROST-FREE WITHOUT POWER SUPPLY DOWN TO -22°F (-30°C)
- PERFECT FOR OUTDOOR AND INDOOR USE
- CONTAIN A DOUBLE HDPE WALL THAT IS WELL INSULATED WITH 2"-3" POLYURETHANE FOAM

FLOW RATE: 72 lpm/19 gpm at 43.5 psi.
WATER CAPACITY: 180 L/47.5 gal



SCREW OFF COVER FOR QUICK AND EASY ACCESS TO THE INSIDE

SEALED UNDERNEATH

PART NUMBER	DESCRIPTION
55134	WATERER - ENERGY FREE - POLY - 1 HOLE
55135	WATERER - ENERGY FREE - POLY - 2 HOLE
55136	WATERER - ENERGY FREE - POLY - 4 HOLE

LA BUVETTE > NEW PRODUCTS > MUTI TWIN & FOOTBATH

MULTI TWIN S

- FLEXIBLE PIPE CONNECTION BETWEEN TROUGHS.
- 2.36' W X 2.66' H X 13.65' L

FLOW RATE: 64 lpm/17gpm at 43.5 psi.
WATER CAPACITY: 200 L/53 gal
per trough extension



PART NUMBER	DESCRIPTION
55133	WATERER - MULTI TWIN S - POLY - 160" - C/W FLOAT
55163	FOOTBATH - POLY - MANURE FREE

FOOTBATH

- DESIGNED TO KEEP MANURE IN CENTRAL GRILL AND OUT OF WASH/PRODUCT TRAYS.
- TWO FOOTBATHS CAN BE COMBINED TO CREATE A LONGER FOOTBATH.
- 2.79' W X 0.98' H X 5.25' L

WATER CAPACITY: 100 L/26 gal with a filling height of 15 cm/ 5.9"





LA BUVETTE > PEN & TIE STALL WATERING SOLUTIONS

NORMANDY

COMPACT HDPE DRINKER WITH PUSH TUBE OR CONSTANT LEVEL.

FLOW RATE: 8 lpm/2 gpm at 43.5 psi.
WATER CAPACITY: 4.5 L/1.1 gal

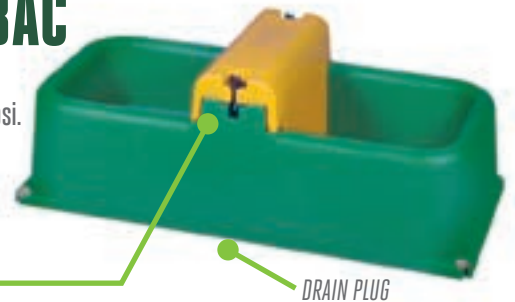


4 WALL FIXING POINTS.
INSTALLATION WITH OR WITHOUT STAND TO SUIT THE TYPE OF ANIMAL AND THE DIRECTION OF THE WATER SUPPLY.



CLEANO-BAC

FLOW RATE:
36 lpm/9 gpm at 43.5 psi.
WATER CAPACITY:
40 L/11 gal



THE WATER IS REPLACED 100 TIMES/DAY

- GOOD WATER REPLACEMENT THANKS TO THE HIGH FLOW RATE FLOAT VALVE
- LITTLE UNUSED WATER REMAINS IN THE CLEANO-BAC: FROM 15 TO 40 LITRES (4-10.5 GALLONS) SUBJECT TO THE SETTING OF THE FLOAT HEIGHT
- EASY TO CLEAN: SMOOTH WALLS WITHOUT NOOKS AND CRANNIES. CLEANO-BAC FEATURES A DRAIN PLUG AND A WATER SHUT OFF PIN
- VERY STURDY: DOUBLE WALL OF HIGH DENSITY PURE POLYETHYLENE
- STAINLESS STEEL BRAIDED 1/2" HOSE INCLUDED

F30

CAST IRON DRINKING BOWL, DEEP AND WIDE, SUITED FOR ALL TYPES OF SNOUTS.

FLOW RATE: 18 lpm/5 gpm at 43.5 psi.



F110

STAINLESS STEEL BOWL WITH ROUNDED EDGE TO AVOID WATER SPILLING.

FLOW RATE: 18 lpm/5 gpm at 43.5 psi.



FORSTAL

LARGE SHOCK RESISTANT SYNTHETIC BOWL.

FLOW RATE: 13 lpm/3.5 gpm at 43.5 psi.



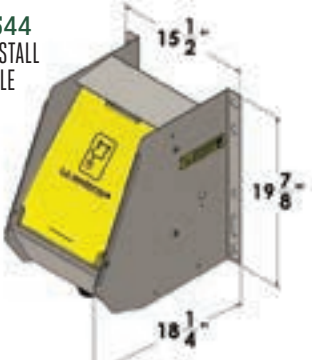
PART NUMBER	DESCRIPTION
54938	WATERER - NORMANDY - CONSTANT LEVEL
54939	WATERER - NORMANDY - PE STAND
55075	WATERER - CLEANO-BAC - POLY - 38" - C/W FLOAT

PART NUMBER	DESCRIPTION
55186	WATERER - F30 - CAST IRON - C/W 3/4" BRASS VALVE
54937	WATERER - F110 - SS - C/W 3/4" VALVE
55187	WATERER - FORSTAL - SYNTHETIC - C/W 3/4" BRASS VALVE

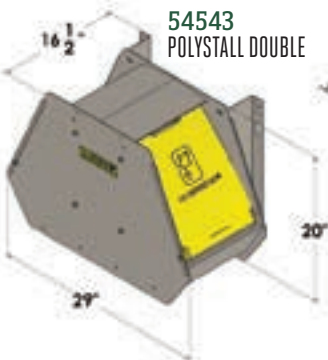


LA BUVETTE > DIMENSION DRAWINGS

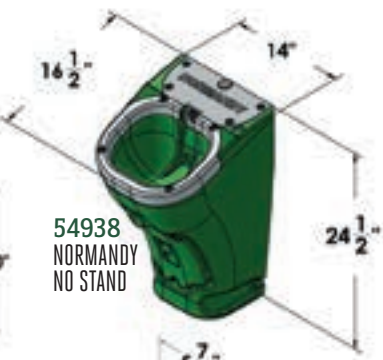
54544
POLYSTALL
SINGLE



54543
POLYSTALL DOUBLE



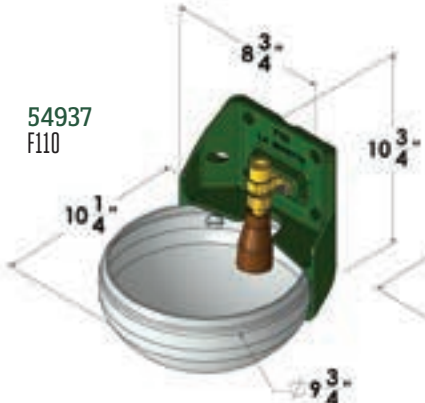
54938
NORMANDY
NO STAND



54938
NORMANDY
WITH STAND



54937
F110

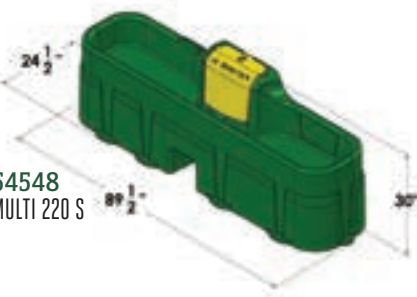


55187
FORSTAL

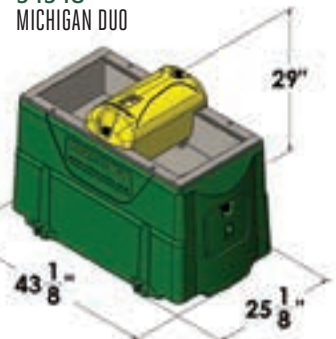


55186
F30

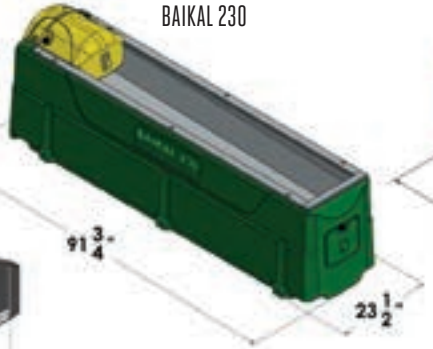
54548
MULTI 220 S



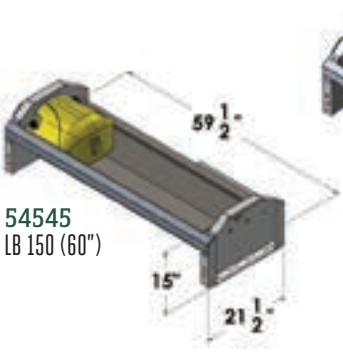
54548
MICHIGAN DUO



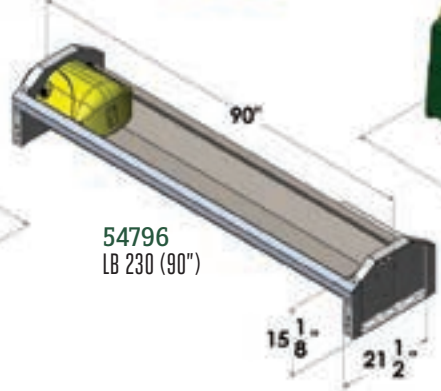
54547
BAIKAL 230



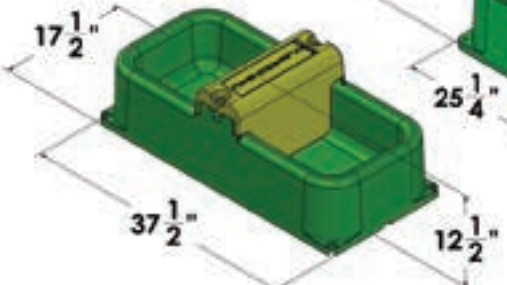
54545
LB 150 (60")



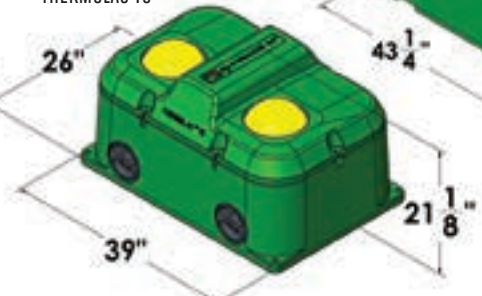
54796
LB 230 (90")



55075
CLEANOBAC



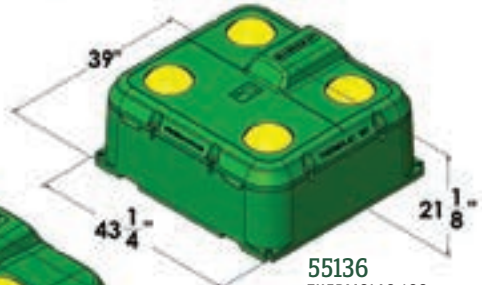
55135
THERMOLAC 75



55134
THERMOLAC 40



55136
THERMOLAC 180





DLS BARN
SOLUTIONS INC.

AUTHORIZED DEALER



DLS BARN SOLUTIONS is the North American partner for Jourdain and La Buvette products. Through a strong dealer network, we are able to provide stabling and water solutions throughout Canada, and parts of the U.S. Associated with Dairy Lane Systems, DLS Biogas and DLS Structures, we have been serving dairy farmers for the last 25 years, and through the four DLS companies, we are in a unique position to offer a complete solution to today's dairy farmer.



Contact us today for a price quote and ordering info!

6403 Egremont Drive | Komoka, ON. | N0L1R0 | Canada
TELEPHONE: 519-666-1404 | TOLL-FREE: 1-800-361-2303 | FAX: 519-666-0627
EMAIL: info@dairylane.ca | WEB: www.dairylane.ca

