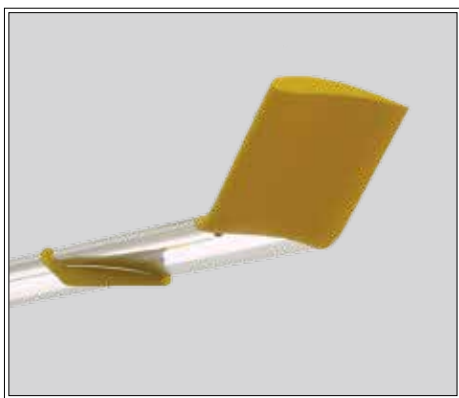


Powerfoil® X2.0

So durable, you'll retire before it does.



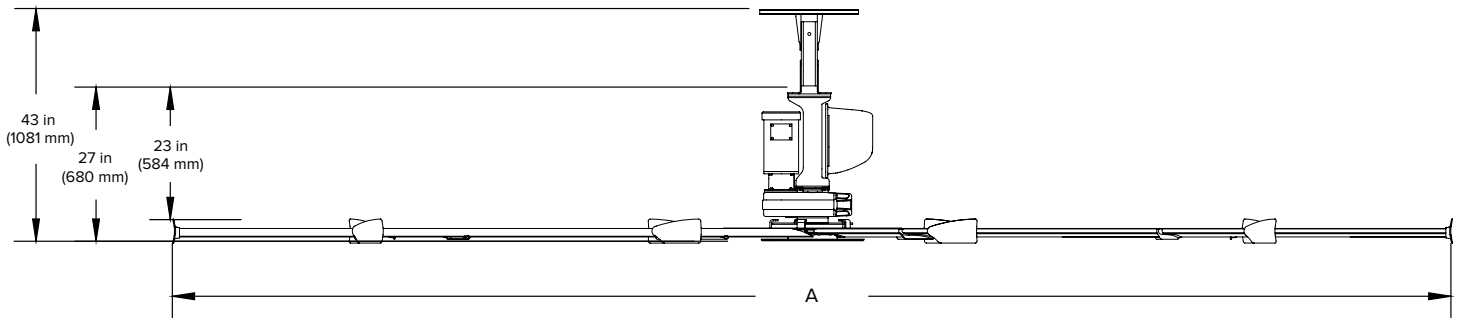
The Powerfoil X2.0 Plus winglets create deeper jets of air, sending airflow over and around floor obstructions. Patent-pending AirFences optimize circulation by redirecting air traveling across the foils.

Powerfoil X2.0 is the strongest, most adaptable ceiling fan on earth. Big Ass Fans engineers designed and thoroughly tested the Powerfoil X2.0 to provide the most reliable air movement solution ever built for large spaces. It's so dependable, we back it with an unprecedented 15-year, nonprorated warranty with our factory certified installation.

Features and Benefits

- Patented airfoil system is comprised of 10 airfoils, Powerfoil winglets and AirFence® technology that set the world standard for airflow
- NitroSeal™ drive gearbox is hermetically sealed for life and nitrogen-filled for zero moisture, contamination and maintenance
- Patent-pending hub system features machine-cut precision components for a uniform load distribution that promotes overall longevity and durability
- Onboard VFD virtually eliminates RFI and EMI noise
- Fully sealed enclosure ensures maximum durability and corrosion resistance and reduces heat buildup for longer life
- Wall-mounted keypad provides 100% control of an unlimited number of fans, troubleshooting and parameter adjustment from floor
- Functional platform enables users to integrate options such as LED lights and cameras
- Includes a standard, power-on shutdown fire relay for seamless fire control panel integration
- Entire fan is certified to UL 507/CSA, ensuring that your fan meets country safety requirements





Technical Specifications

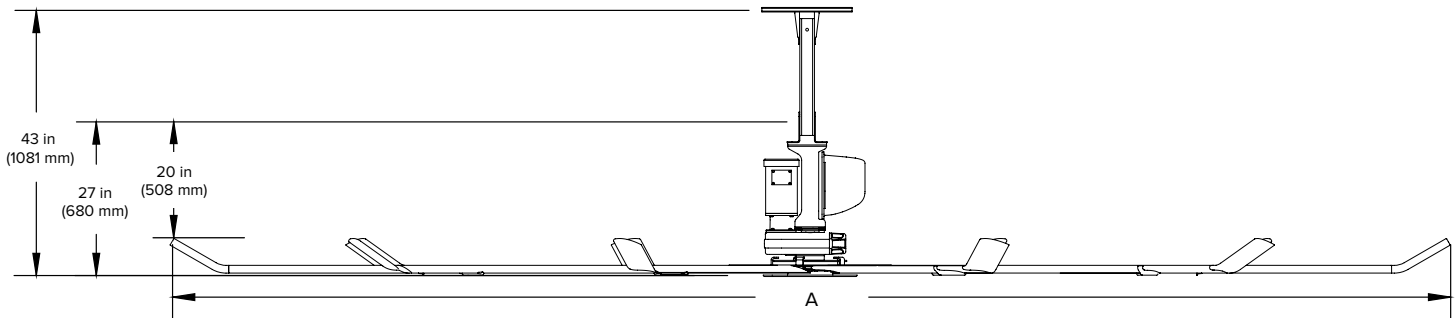
Model	Powerfoil X2.0							
Number and type of airfoils	10 patented Powerfoil airfoils and winglets 10 patent-pending AirFences							
Airfoil finish	Mill finish aluminum							
Winglet (standard color)	Powerfoil winglet (safety yellow)							
Fan diameter (A)	8 ft	10 ft	12 ft	14 ft	16 ft	18 ft	20 ft	24 ft
Fan weight	269 lb (122 kg)	281 lb (127 kg)	292 lb (132 kg)	309 lb (140 kg)	319 lb (145 kg)	332 lb (151 kg)	385 lb (175 kg)	408 lb (185 kg)
Motor	1.0 HP (0.75 kW)			1.5 HP (1.1 kW)			2.0 HP (1.5 kW)	
Maximum speed	113 RPM		106 RPM	95 RPM		77 RPM	70 RPM	55 RPM
Input power and required breaker	200—250 VAC, 50/60 Hz, 1 Φ , 20 A 200—250 VAC, 50/60 Hz, 3 Φ , 10 A 400—480 VAC, 50/60 Hz, 3 Φ , 10 A 575—600 VAC, 50/60 Hz, 3 Φ , 10 A			200—250 VAC, 50/60 Hz, 1 Φ , 30 A 200—250 VAC, 50/60 Hz, 3 Φ , 20 A 400—480 VAC, 50/60 Hz, 3 Φ , 10 A 575—600 VAC, 50/60 Hz, 3 Φ , 10 A				
Maximum full load current	4.4A @ 200—250VAC, 1 Φ 3.2A @ 200—250VAC, 3 Φ 1.5A @ 400—480VAC, 3 Φ 1.3A @ 575—600VAC, 3 Φ			8.7A @ 200—250VAC, 1 Φ 5.0A @ 200—250VAC, 3 Φ 2.5A @ 400—480VAC, 3 Φ 1.6A @ 575—600VAC, 3 Φ			10.7A @ 200—250VAC, 1 Φ 6.2A @ 200—250VAC, 3 Φ 3.0A @ 400—480VAC, 3 Φ 2.3A @ 575—600VAC, 3 Φ	
Minimum airfoil clearances required	2 ft (0.6 m) on sides 4 ft (1.2 m) below ceiling deck		2 ft (0.6 m) on sides 5 ft (1.5 m) below ceiling deck		2 ft (0.6 m) on sides 6 ft (1.8 m) below ceiling deck		2 ft (0.6 m) on sides 7 ft (2.1 m) below ceiling deck	
Standard mount	Small I-beam							
Mount options	Large I-beam, spanned angle iron, small/large L-bracket, Z-purlins							
Controller	X-series, digital wall keyboard							
Onboard controller	ABS/PVC based enclosure, built-in heatsink							
Gearbox	NitroSeal™ drive (STÖBER®)							
Sound level at maximum speed*	< 55 dBA							
Redundant safety features	Airfoil retainers, hub clips, safety cables, Grade 8 bolts							
Fire relay	Included							
Certifications (entire fan)	ETL/Intertek-certified to ANSI/UL 507 and CSA C22.2 No. 113							
Warranty**	15-year, nonprorated warranty							

* Fans are sound tested at maximum speed in a laboratory environment. Actual results in field conditions may vary due to sound reflecting surfaces and environmental conditions.
 ** 15-year parts, 1-year labor warranty; certain exclusions apply. See complete warranty for details.



Powerfoil® X2.0 Plus

TECHNICAL SPECIFICATIONS



Technical Specifications

Model	Powerfoil X2.0 Plus					
Number and type of airfoils	10 patented Powerfoil airfoils and winglets 10 patent-pending AirFences					
Airfoil finish	Mill finish aluminum					
Winglet (standard color)	Powerfoil plus winglets (safety yellow)					
Fan diameter (A)	12 ft	14 ft	16 ft	18 ft	20 ft	24 ft
Fan weight	309 lb (140 kg)	319 lb (145 kg)	329 lb (149 kg)	342 (kg) 155 kg	395 lb (179 kg)	419 lb (190 kg)
Motor	1.5 HP (1.1 kW)			2.0 HP (1.5 kW)		
Maximum speed	95 RPM		77 RPM	70 RPM	58 RPM	48 RPM
Input power and required breaker	200—250 VAC, 50/60 Hz, 1 Φ , 30 A 200—250 VAC, 50/60 Hz, 3 Φ , 20 A 400—480 VAC, 50/60 Hz, 3 Φ , 10 A 575—600 VAC, 50/60 Hz, 3 Φ , 10 A					
Maximum full load current	8.7A @ 200—250VAC, 1 Φ 5.0A @ 200—250VAC, 3 Φ 2.5A @ 400—480VAC, 3 Φ 1.6A @ 575—600VAC, 3 Φ			10.7A @ 200—250VAC, 1 Φ 6.2A @ 200—250VAC, 3 Φ 3.0A @ 400—480VAC, 3 Φ 2.3A @ 575—600VAC, 3 Φ		
Minimum airfoil clearances required	2 ft (0.6 m) on sides 6 ft (1.8 m) below ceiling deck		2 ft (0.6 m) on sides 7 ft (2.1 m) below ceiling deck		2 ft (0.6 m) on sides 8 ft (2.4 m) below ceiling deck	
Standard mount	Small I-beam					
Mount options	Large I-beam, spanned angle iron, small/large L-bracket, Z-purlins					
Controller	X-series, digital wall keyboard					
Onboard controller	ABS/PVC based enclosure, built-in heatsink					
Gearbox	NitroSeal™ drive (STÖBER®)					
Sound level at maximum speed*	< 55 dBA					
Redundant safety features	Airfoil retainers, hub clips, safety cables, Grade 8 bolts					
Fire relay	Included					
Certifications (entire fan)	ETL/Intertek-certified to ANSI/UL 507 and CSA C22.2 No. 113					
Warranty**	15-year, nonprorated warranty					

* Fans are sound tested at maximum speed in a laboratory environment. Actual results in field conditions may vary due to sound reflecting surfaces and environmental conditions.

** 15-year parts, 1-year labor warranty; certain exclusions apply. See complete warranty for details.

