

# BeddingMaster

By DariTech



*Quit paying for bedding, own it!*

DariTech is proud to introduce our in-vessel composter, the BeddingMaster, designed and built in Lynden, Washington. By combining the age old science of composting with the knowledge and wherewithal of DariTech, dairies will be able to say goodbye to sawdust and shavings, and hello to recycled manure as bedding for their cows. Not only that, but they will be able to do so at a cost far lower than has been previously available in systems utilizing similar science.

**Manufactured in the USA!**

**US Patent # 8,728,801**

Just another reason to love your cows...

# BeddingMaster

By DariTech

...and for them to love you back!

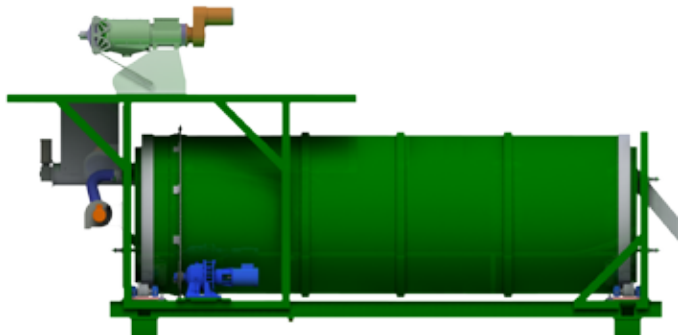
BeddingMaster  
Sizing Chart

Size	Dairy Input Size
5-14	175 Cows
6-20	375 Cows
6-32	600 Cows
8-40	1400 Cows

Expect to bed 1.5 to 2 stalls per cow input.

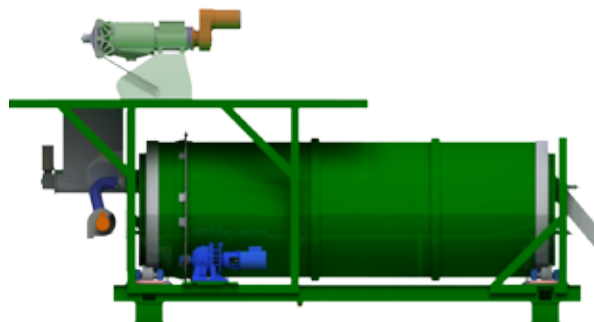
## BeddingMaster 6-20

The 6-20 BeddingMaster, compact operation for dairies that bed up to 750 cows.



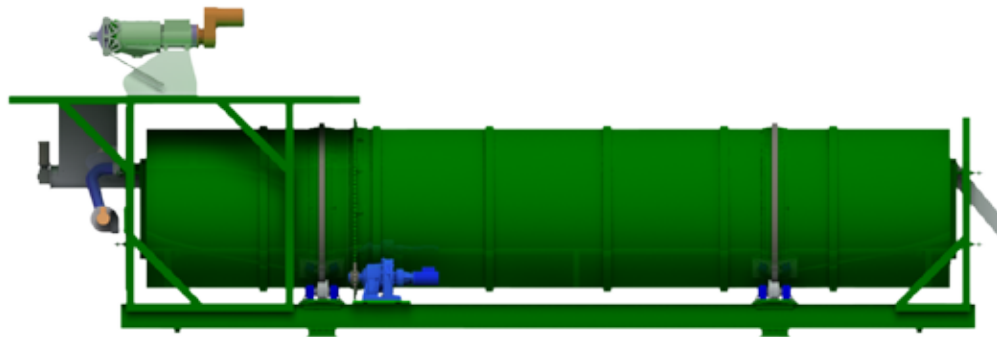
## BeddingMaster 5-14

The 5-14 BeddingMaster, smallest footprint for dairies that bed up to 350 cows.



## BeddingMaster 6-32

The 6-32 BeddingMaster, same great operation will bed up to 1,200 cows.

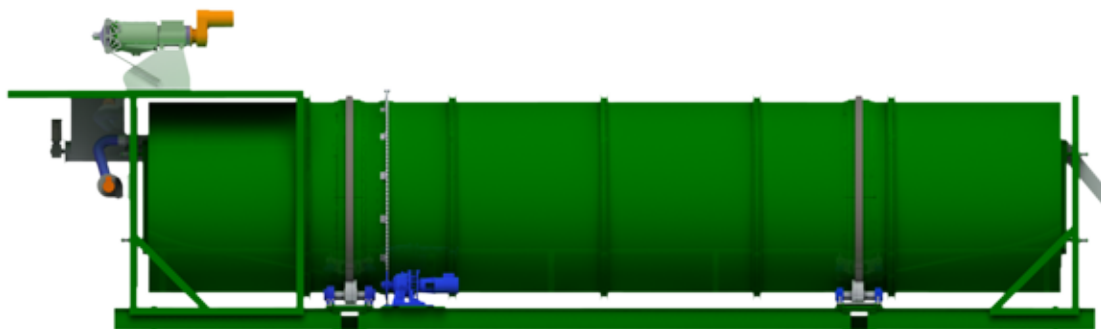


### Truck Delivery:

BeddingMasters can be delivered anywhere in North America.

## BeddingMaster 8-40

The 8-40 BeddingMaster, the largest BeddingMaster, can be set up to bed over 3,000 cows.



### Double Separators:

Second separator is an available option to increase 8-40 BeddingMaster capacity.

# The Anatomy of a BeddingMaster - An Insiders View



## **Separator:**

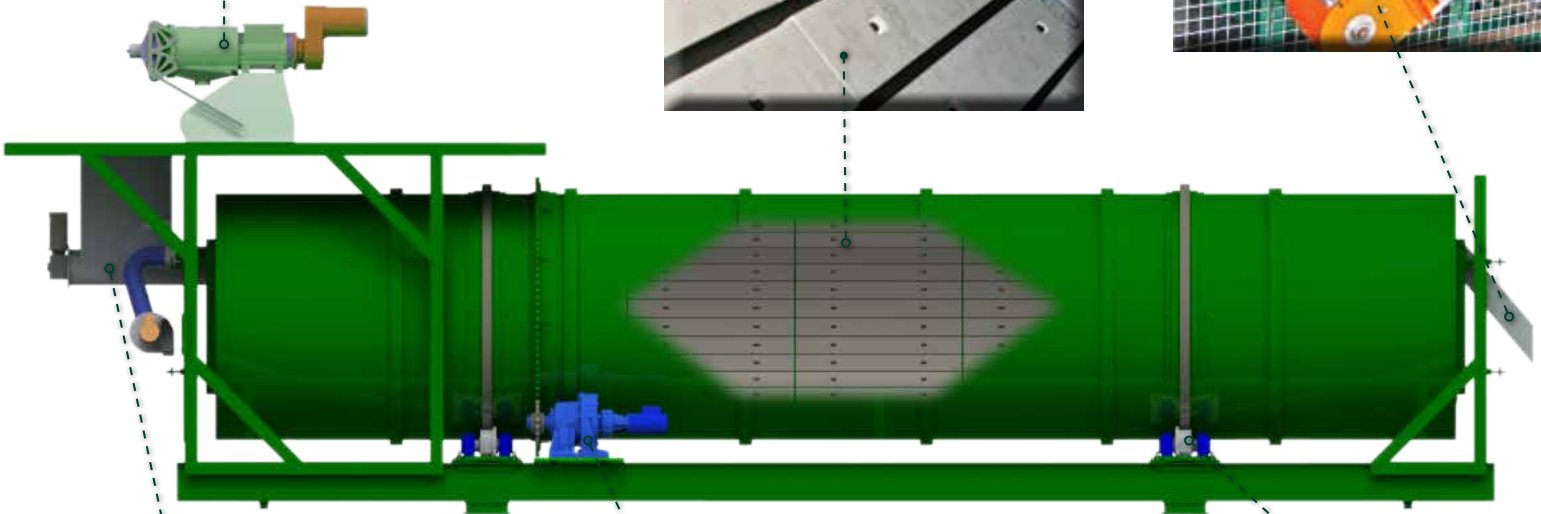
Separator and control panel can be installed in a heated enclosure.

## **Exit Chute:**

Continuous operation provides many options for conveyance of finished bedding.

## **Insulation Boards:**

Linear boards on the inside provide insulation, abrasion barrier, and host bacteria in spaces.



Patent Pending



## **Feed Auger:**

Infeed auger supports continuous operation with uninterrupted air supply.



## **Motor and Wheels:**

Heavy duty drive motor and idler wheels ensure longevity and trouble free operation.





*"We have been dealing with DariTech for years and have always appreciated the **hard work** and **quality** of equipment and workmanship. The BeddingMaster was no different. The quality of this bedding maker and the bedding itself is **the best** I've seen."*

**T**he BeddingMaster is built with excellent workmanship to ensure great performance for years to come, making it unsurpassed in the dairy industry. Coupled with our working knowledge of dairy's needs, DariTech's customized systems integrate into existing operations seamlessly.

#### Features include:

- Proven composting technology
- Fixed ends provide greater capacity for better value
- Heavy rubberized industrial coating
- Internal boards protect vessel from heat fluctuations
- HDPE boards protect inside of vessel from wear
- Heavy duty drive system, idler wheels and bearings for longevity