



Power Take-Off Pumps

Powerful PTO pumps
to handle liquid manure

Table of contents

PTO Pumps	3
Vertical Pumps	
Agi-Pompe	4-5
Super Pump	6-7
Agi-Pompe and Super Pump Configurations	
Stationary	8
Trailer	8
Tilting 3-Point Hitch	8
3-Point Hitch for Aboveground Tank	9
Trailer for Aboveground Tank	10
Agi-Pompe and Super Pump Options	11
Lagoon Pumps	
Lagoon Agi-Pompe and Lagoon Super Pump	12-13
Undercarriage	14-15
Lagoon Pump Options	16
Articulated Pumps	
Articulated Agi-Pompe	17
Articulated Super Pump	18
Articulated Super Pump for Lagoon	19
Articulated Pump Options	20
Miscellaneous Options	
Articulated Housing	21
Articulated Loading Pipe	22
Loading Pipes	
Loading Pipe on Tripod	23
Loading Pipe on Wheels	23

PTO Pumps



For decades we have been offering PTO pumps, a wide range of products designed to agitate and facilitate the evacuation of manure from your main manure storage pit.

Because manure characteristics are as varied as the types of storage, GEA has extended the strength and power of its two main pumps, the Agi-Pompe and Super Pump, toward three distinct uses.

- The vertical pumps offer five different configurations to allow easy installation and removal from concrete pits.
- Our lagoon pumps are specifically designed to facilitate the approach, agitation and transfer of manure from lagoons.
- The far-reaching articulated pumps, secured solidly with a 3-point hitch are designed to mix and transfer manure from larger concrete pits.

GEA Farm Technologies strives to provide solutions that support proper manure management by offering products with a wide range of options to aid in manure transfer from pits, lagoons and to our spreaders.

With our knowledge of manure, we have the ability to anticipate the needs of farmers and transform that knowledge into ingenious, efficient and high quality products.

GEA Farm Technologies cares about the quality of the environment and continuously works to implement effective environmental management systems applicable in all facets of the business.

Agi-Pompe

The Agi-Pompe, with its high quality impeller and propeller offers outstanding performance and a long life span. The Agi-Pompe is used to homogenize and transfer liquid manure containing long bedding and bottom sediments.

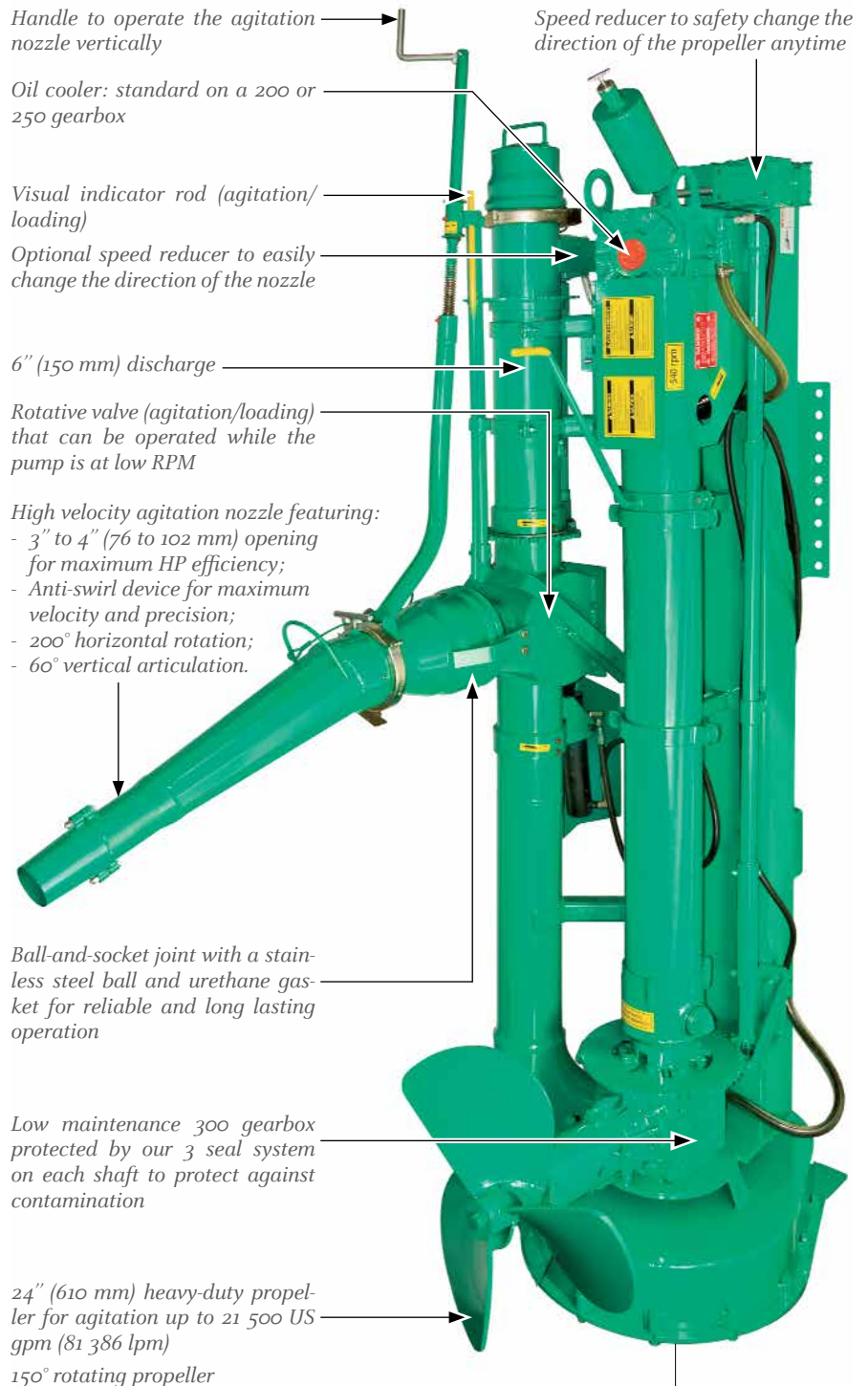
Hog Slurry & Dairy Manure	Maximum transfer consistency 3/4" (19 mm)	
	Maximum agitation consistency 1 1/2" (38 mm)	
✓ Straw	✓ Sawdust	✓ Sand*

* With optional abrasive resistant steel housing and bottom plate.

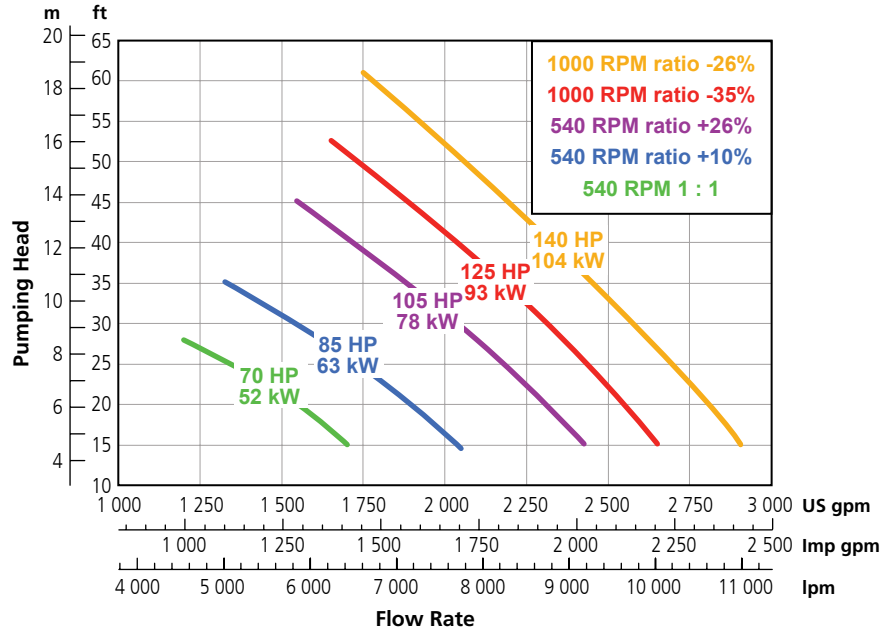
Horsepower Requirements	
540 RPM	70 - 110 HP (52 - 82 kW)
1000 RPM	125 - 140 HP (93 - 104 kW)

Impeller and Housing

20" (508 mm) impeller featuring self-cleaning blades and reversible knives at the intake.



Working Range



Performance Chart

6" Agi-Pompe									
24" (610 mm) propeller and 20" (510 mm) impeller									
Ratio	RPM	Agitation Capacity							
		24" (610 mm) Propeller		3" (76 mm) Nozzle			3½" (89 mm) Nozzle		
		US gpm	lpm	US gpm	lpm	HP	US gpm	lpm	HP
-26%	1 000	26 525	100 408	1 400	5 300	140	1 750	5 300	140
-35%	1 000	24 750	93 689	1 325	5 000	120	1 625	5 000	120
+26%	540	22 975	86 970	1 200	4 500	105	1 500	4 500	105
+10%	540	20 275	76 749	1 075	4 000	85	-	-	-
1 to 1	540	18 150	68 705	950	3 500	70	-	-	-

Performances are obtained with approx. ½" (13 mm) manure consistency.

Super Pump

The Super Pump is built with the same high quality construction as the Agi-Pompe and is the right choice to agitate and transfer slurry containing a limited amount of chopped bedding.

Hog Slurry & Dairy Manure	Maximum transfer consistency 3/4" (19 mm)
	Maximum agitation consistency 2 1/4" (57 mm)
<input checked="" type="checkbox"/> Straw <input checked="" type="checkbox"/> Sawdust <input checked="" type="checkbox"/> Sand*	

* With optional abrasive resistant steel housing and bottom plate.

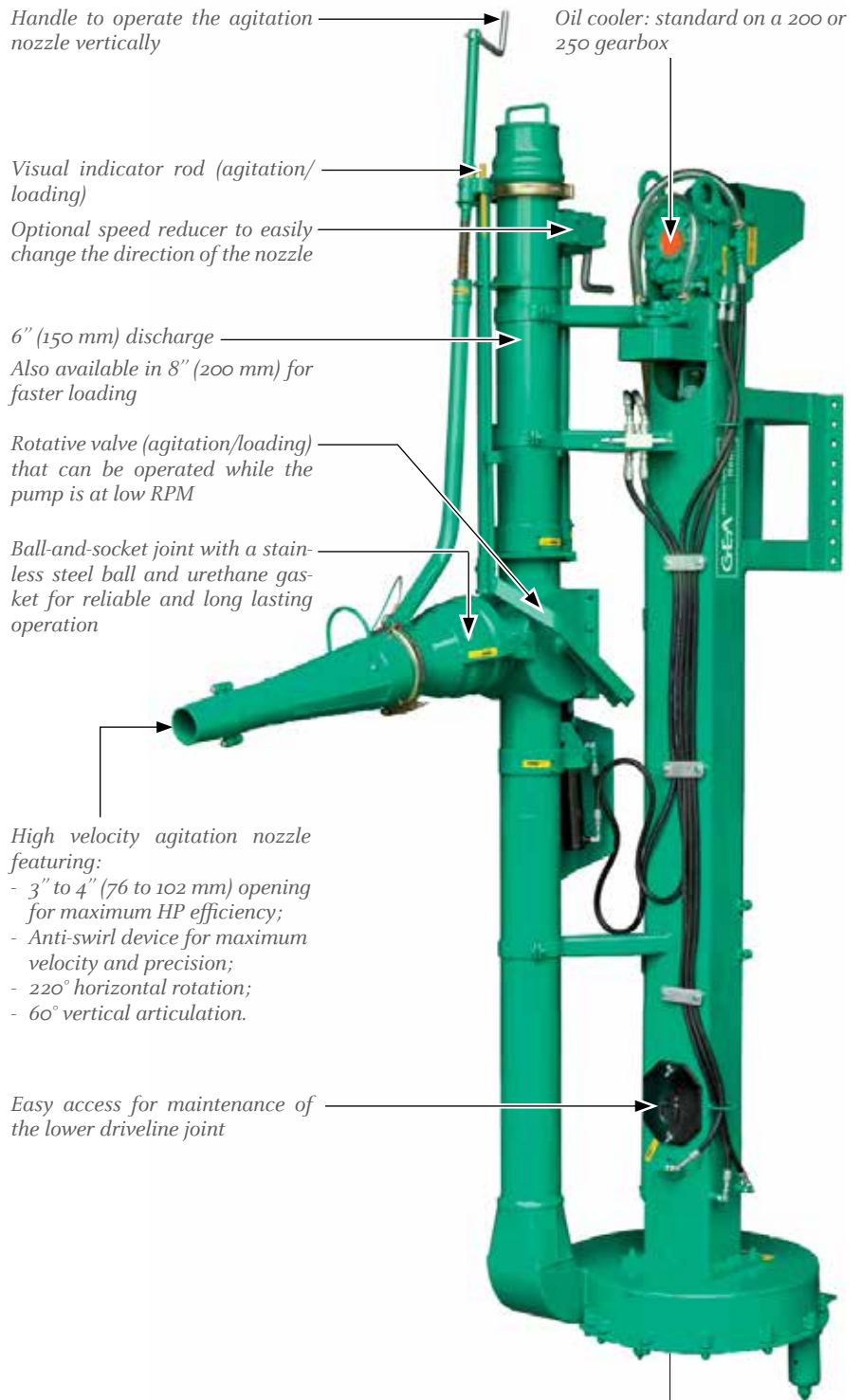
The information above applies to the 28" (711 mm) impeller.

Horsepower Requirements	
540 RPM	70 - 100 HP (52 - 74.5 kW)
1000 RPM	95 - 210 HP (71 - 156.5 kW)

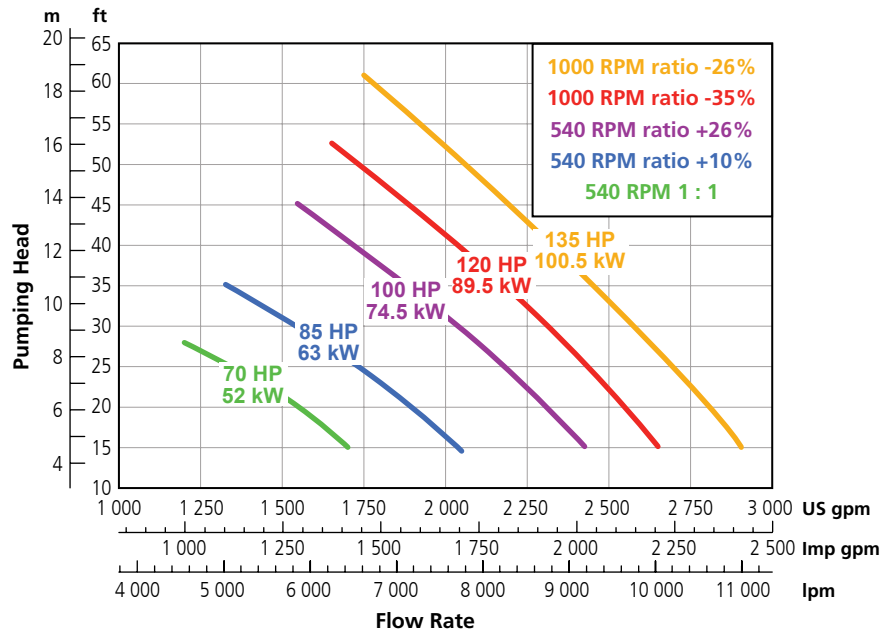
The information above applies to the 20" (508 mm) impeller.

Impeller and Housing

20" to 28" (508 to 711 mm) impeller featuring self-cleaning blades and reversible knives at the intake.



Working Range



Performance Chart

6" Super Pump										
20" (510 mm) impeller										
Ratio	RPM	Agitation Capacity								
		3" (76 mm) single nozzle			3½" (89 mm) single nozzle			Twin 3" (76 mm) nozzle		
		US gpm	lpm	HP	US gpm	lpm	HP	US gpm	lpm	HP
-26%	1 000	1 475	5 500	110	1 850	7 000	125	2 250	8 500	105
+26%	540	1 250	4 700	85	1 575	5 900	95	1 975	7 400	135
+10%	540	1 125	4 200	70	-	-	-	-	-	-
8" Super Pump										
21" (530 mm) impeller										
-26%	1 000	1 625	6 150	130	2 146	8 120	140	2 941	11 133	155
22" (560 mm) impeller - 4 blades										
-26%	1 000	1 688	6 390	145	2 221	8 407	160	3 020	11 432	185
22" (560 mm) impeller - 6 blades										
-26%	1 000	1 725	6 500	155	2 271	8 600	170	3 088	11 690	190

Agi-Pompe and Super Pump Configurations

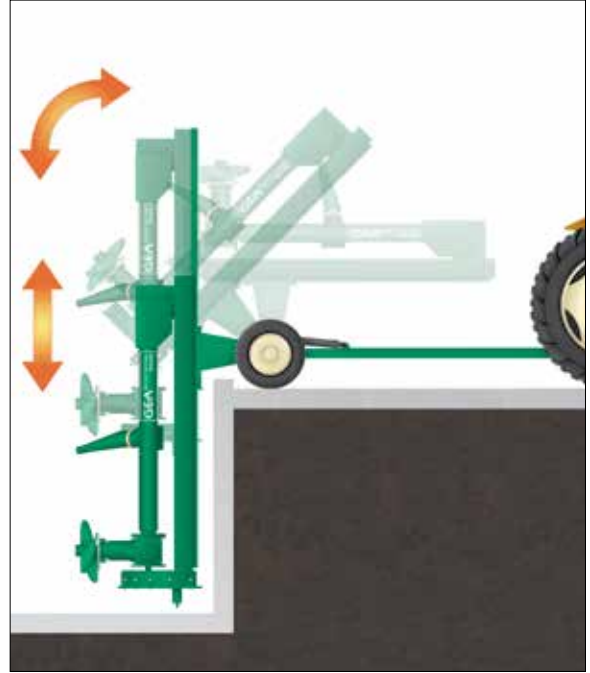
Stationary

Pumps available for pits 5'-6" (1.7 m) deep and up.



Trailer

Pumps available for pits ranging from 5'-6" to 18' (1.7 to 5.5 m) deep.



Tilting 3-Point Hitch

Pumps available for pits ranging from 5'-6" to 13' (1.7 to 4 m) deep.



3-Point Hitch for Aboveground Tank

Pumps available for aboveground tanks or semi aboveground tanks up to 20' (6.1 m) deep.
Available only on Agi-Pompe and 6" Super Pump.

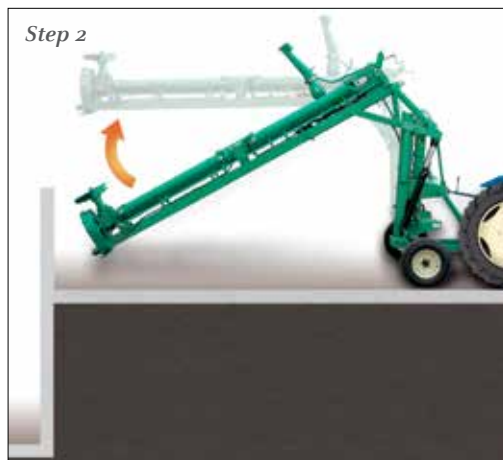
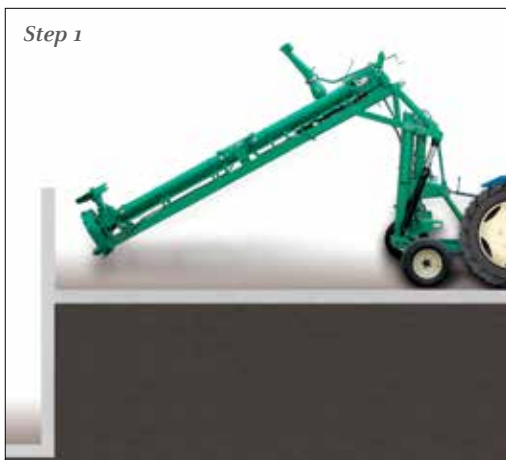


3-Point Hitch Agi-Pompe for Aboveground Tank



3-Point Hitch Agi-Pompe for Semi Aboveground Tank

Pump Deployment



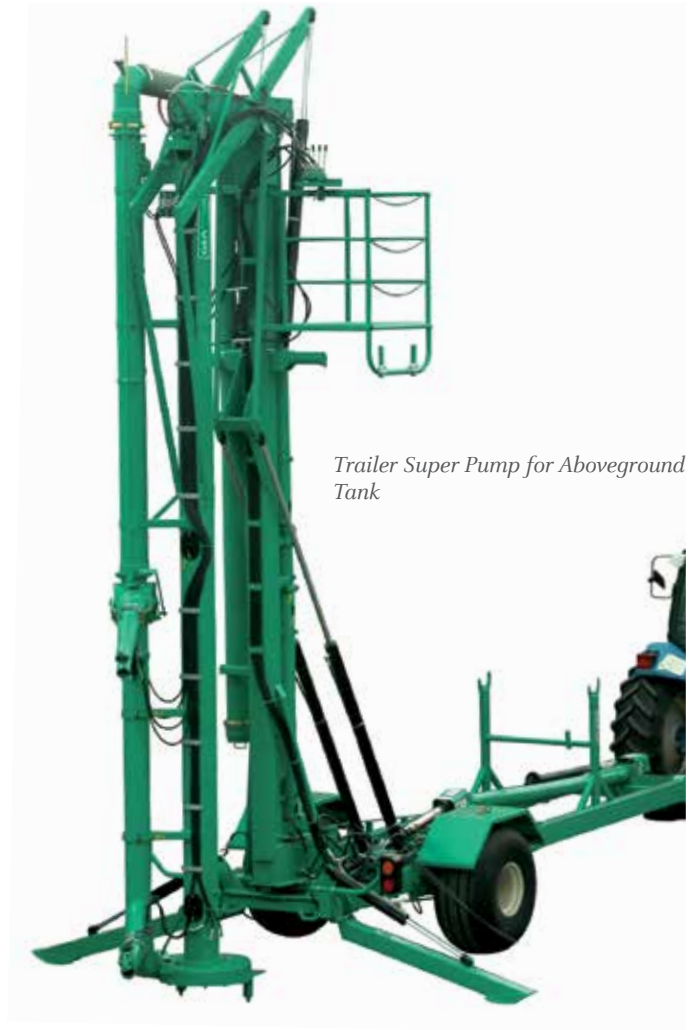
Agi-Pompe and Super Pump Configurations

Trailer for Aboveground Tank

For aboveground tanks up to 20' (6.1 m) deep.
Available only on Agi-Pompe and 8" Super Pump.



Trailer Agi-Pompe for Aboveground Tank



Trailer Super Pump for Aboveground Tank

Pump Deployment



Step 1



Step 2



Step 3

Agi-Pompe and Super Pump



Hydraulic Controls

3 levers operating the nozzles with one more on the Agi-Pompe to operate the propeller.



Electric Super Pump

The alternative for operating a stationary Super Pump where space does not allow a tractor.



Optional hydraulic cap

Additional Bottom Nozzle

To keep bottom sediments in suspension. 220° horizontal rotation.

On Super Pump only.



Knife Kit on Propeller

To cut fibrous material and aid in the discharge of manure.

On Agi-Pompe only.



Remote Grease Line Kit

To lubricate the bearing housing without removing the pump.



Abrasive Resistant Steel Housing / Bottom Plate

To pump manure containing sand.



Additional Gearbox

To empty pits of different depths. A minimum of 36" (914 mm) is required between the two gearboxes.

Available only on the Trailer Agi-Pompe and 6" Super Pump.

Lagoon Agi-Pompe and Super Pump

These heavy-duty pumps will rapidly homogenize liquid manure in lagoons. Our lagoon pumps will provide you with excellent stability to work safely.

Lagoon Agi-Pompe

Hog Slurry & Dairy Manure	Maximum transfer consistency 3/4" (19 mm)
	Maximum agitation consistency 1 1/2" (38 mm)
✓ Straw	✓ Sawdust
✓ Sand*	

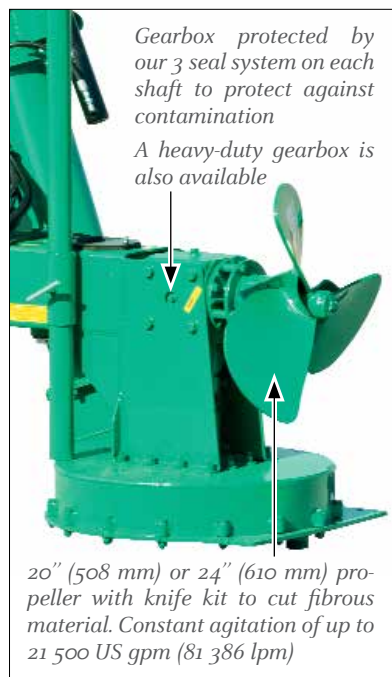
To homogenize liquid manure using a tractor with a minimum of 80 HP. 540 RPM only.

Available in 1000 RPM for tractors with a minimum of 160 HP.

* With optional abrasive resistant steel housing and bottom plate.

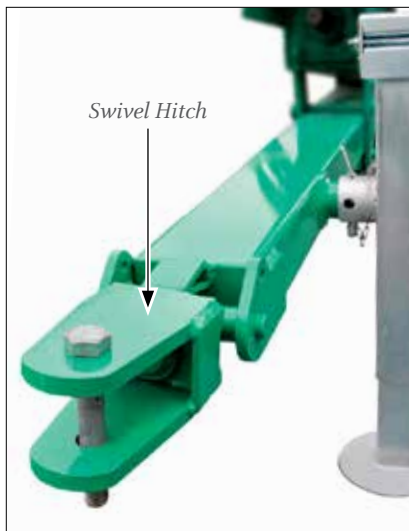
Agi-Pompe Housing and Impeller

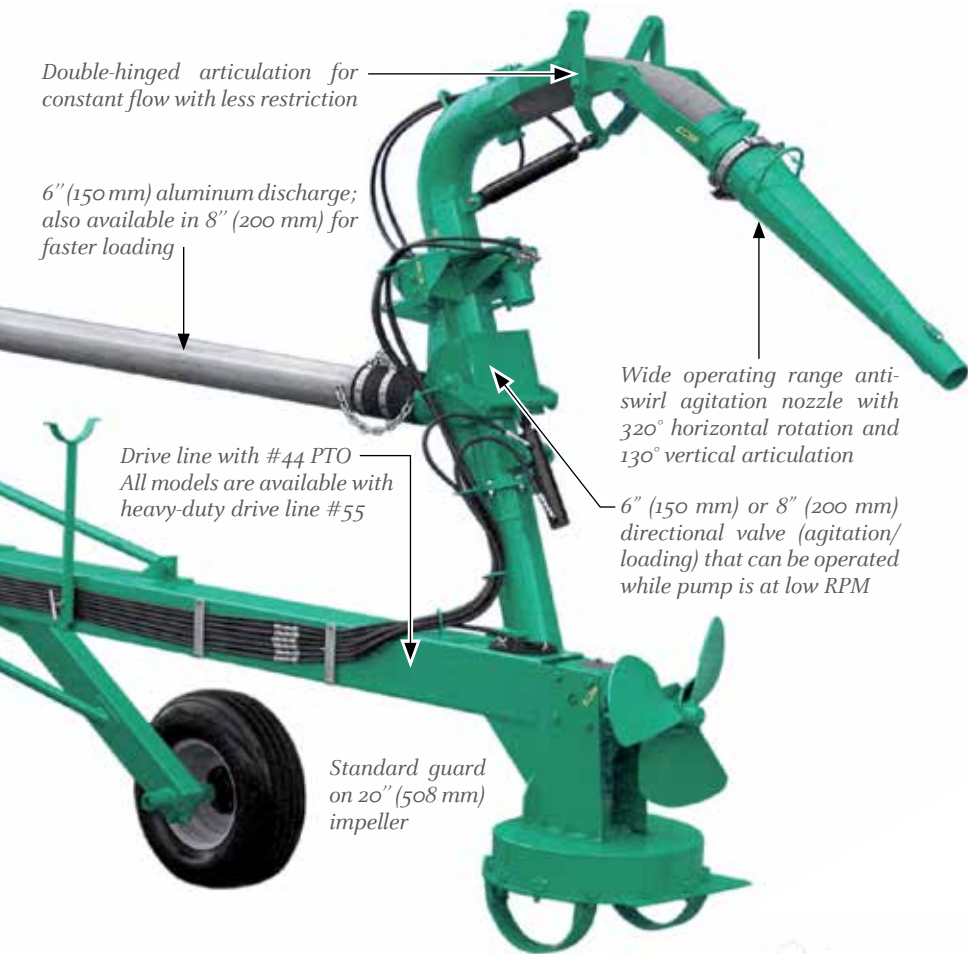
20" (508 mm) or 26" (660 mm) impeller.



Draw Bar and Hitch

Length and angle are adjustable to avoid PTO vibration.





Lagoon Super Pump

Hog Slurry & Dairy Manure	Maximum transfer consistency 3/4" (19 mm)
	Maximum agitation consistency 2 1/4" (57 mm)
✓ Straw	✓ Sawdust
	✓ Sand*

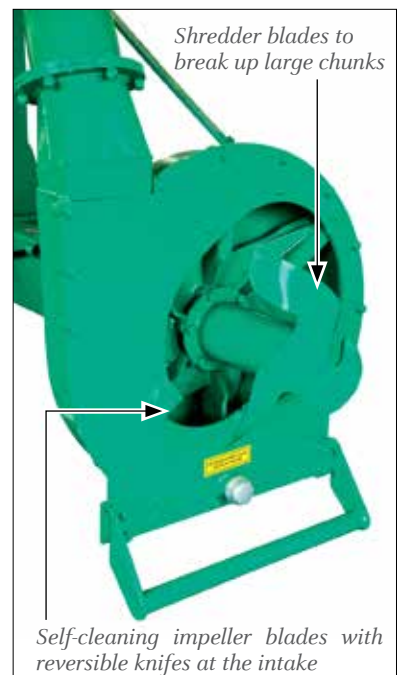
To handle slurry using a tractor with a minimum of 80 HP. 540 RPM. Available in 1000 RPM for tractors with a minimum of 180 HP.

* With optional abrasive resistant steel housing and bottom plate.

The information above applies to the 28" (711 mm) impeller.

Super Pump Housing and Impeller

26" (660 mm) or 28" (711 mm) impeller with 540 RPM or 23" (584 mm) impeller with 1000 RPM.



Lagoon Agi-Pompe and Super Pump

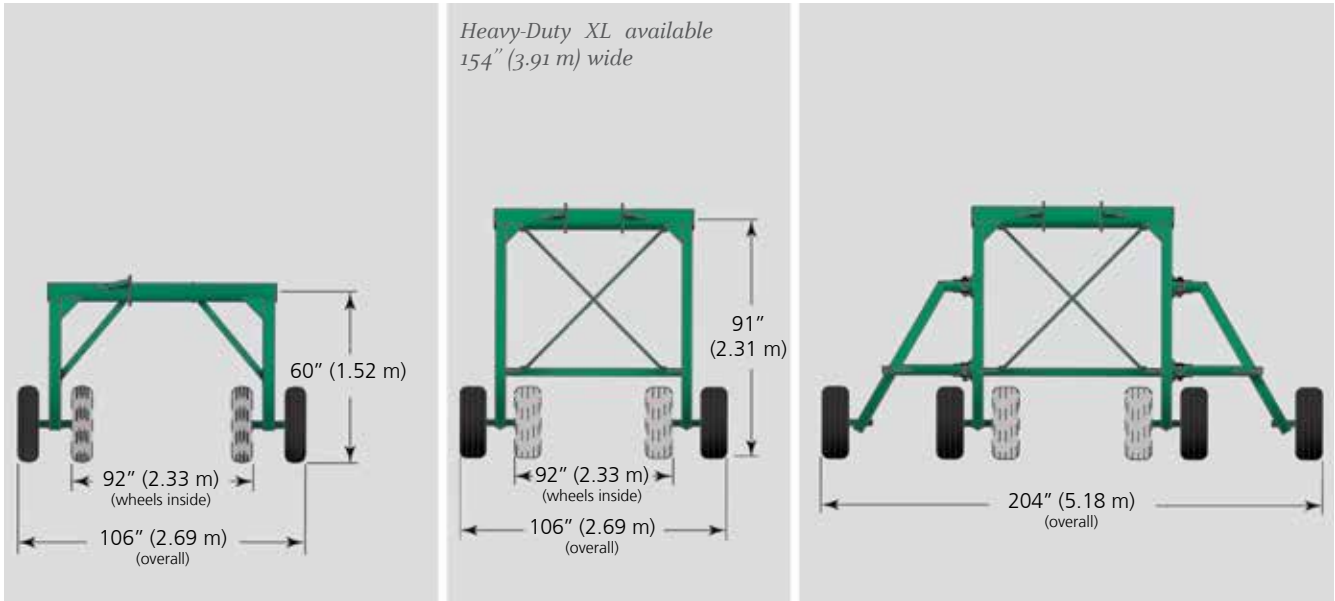
Undercarriage

Five robust trailers expressly designed to fit every lagoon pump.

Standard Undercarriage

Heavy-Duty Undercarriage

Heavy-Duty Undercarriage with Articulated Stabilizer Wheels

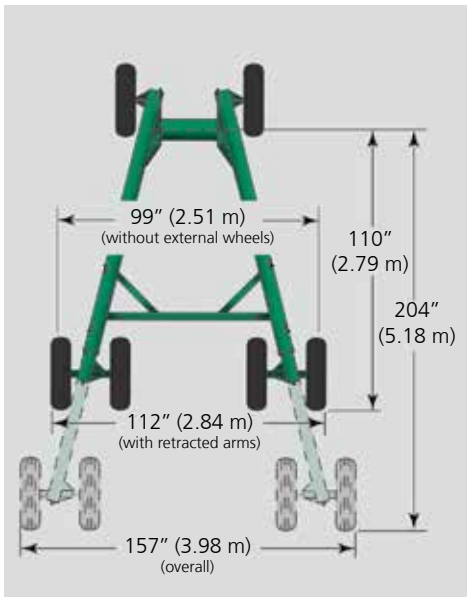


Undercarriage Compatibility

Pump Lengths Available	Undercarriage Models				
	Standard	Heavy-Duty	Heavy-Duty XL	Articulated Stab. Wheels	Multipurpose
32' (9.8 m) 14' (4.3 m) lagoon depth Slope of 2 to 1	Included	Option	Option	Option	Option
42' (12.8 m) 18' (5.5 m) lagoon depth Slope of 2 to 1	Included	Option	Option	Option	Option
52' (15.9 m) 22' (6.7 m) lagoon depth Slope of 2 to 1	-	Included	Option	Option	Option
62' (18.9 m) 22' (6.1 m) lagoon depth Slope of 3 to 1	-	-	Included	-	-
72' (22 m) 22' (6.7 m) lagoon depth Slope of 3 to 1	-	-	Included	-	-

- : Not available

Multipurpose Undercarriage For lagoons and concrete pits.



Multipurpose Undercarriage for lagoons and concrete pits

Lagoon Pump



Remote Control

To operate the pump and its multiple functions from inside the cab using 1 hydraulic outlet.



Drive Line in Oil Bath



Knife Kit on Propeller

To cut fibrous material and aid in the discharge of manure.

On Agi-Pompe only.



Low Pressure Discharge Elbow

Reduces the pressure of the loading pipe discharge.



Remote Grease Line Kit

To lubricate the bearing housing without removing the pump.



Abrasive Resistant Steel Housing / Bottom Plate

To pump manure containing sand.

Articulated Agi-Pompe

The far-reaching Articulated Agi-Pompe with its solid 3-point hitch allows faster agitation and transfer of the manure from a larger concrete pit.

Hog Slurry & Dairy Manure	Maximum transfer consistency 3/4" (19 mm)
	Maximum agitation consistency 1 1/2" (38 mm)
✓ Straw	✓ Sawdust
	✓ Sand*

To rapidly homogenize liquid manure using a tractor with a minimum of 140 HP. 540 RPM only.**

* With optional abrasive resistant steel housing and bottom plate.



Low maintenance gearbox in oil bath.

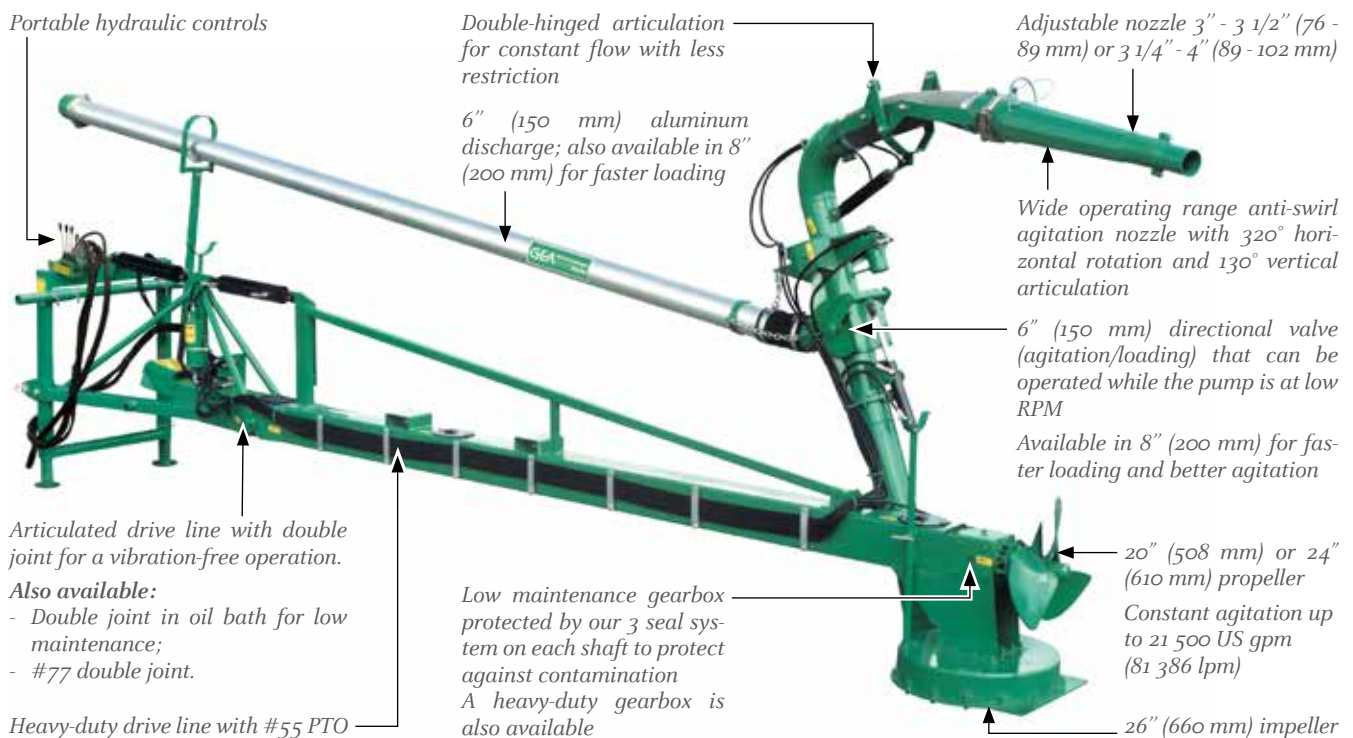


Standard 3-point hitch.



Easy access for maintenance of the driveline joint.

Pump Lengths Available	
Length	Pit depth
18' (5.5 m)	12' (3.66 m)
21' (6.4 m)	14' (4.27 m)
24' (7.32 m)	16' (4.88 m)



** Available in 1000 RPM with gearbox reduction.

Articulated Super Pump

The Articulated Super Pump allows far-reaching access into concrete pits and provides power entirely concentrated on manure pumping.

Hog Slurry & Dairy Manure	Maximum transfer consistency 3/4" (19 mm)
	Maximum agitation consistency 2 1/4" (57 mm)
✓ Straw	✓ Sawdust
	✓ Sand*

To handle manure with a limited amount of chopped bedding in a pit using a tractor with a minimum of 80 HP. 540 RPM only.

** With optional abrasive resistant steel housing and bottom plate.*

The information above applies to the 28" (711 mm) impeller.

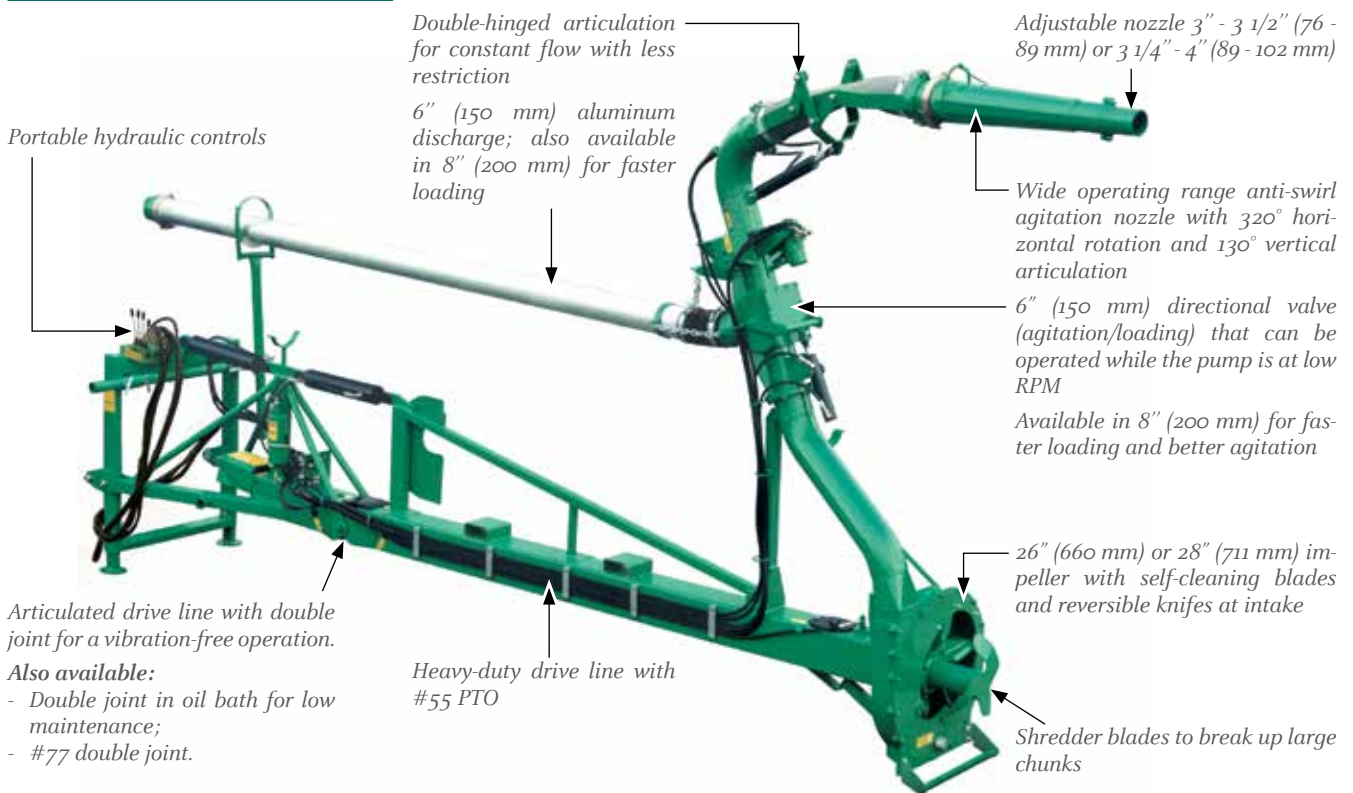
Pump Lengths Available	
Length	Pit depth
17' (5.18 m)	12' (3.66 m)
18' (5.5 m)	14' (4.27 m)
21' (6.4 m)	16' (4.88 m)
24' (7.32 m)	18' (5.5 m)



Standard 3-point hitch.



Easy access for maintenance of the driveline joint.



Articulated Super Pump for Lagoon

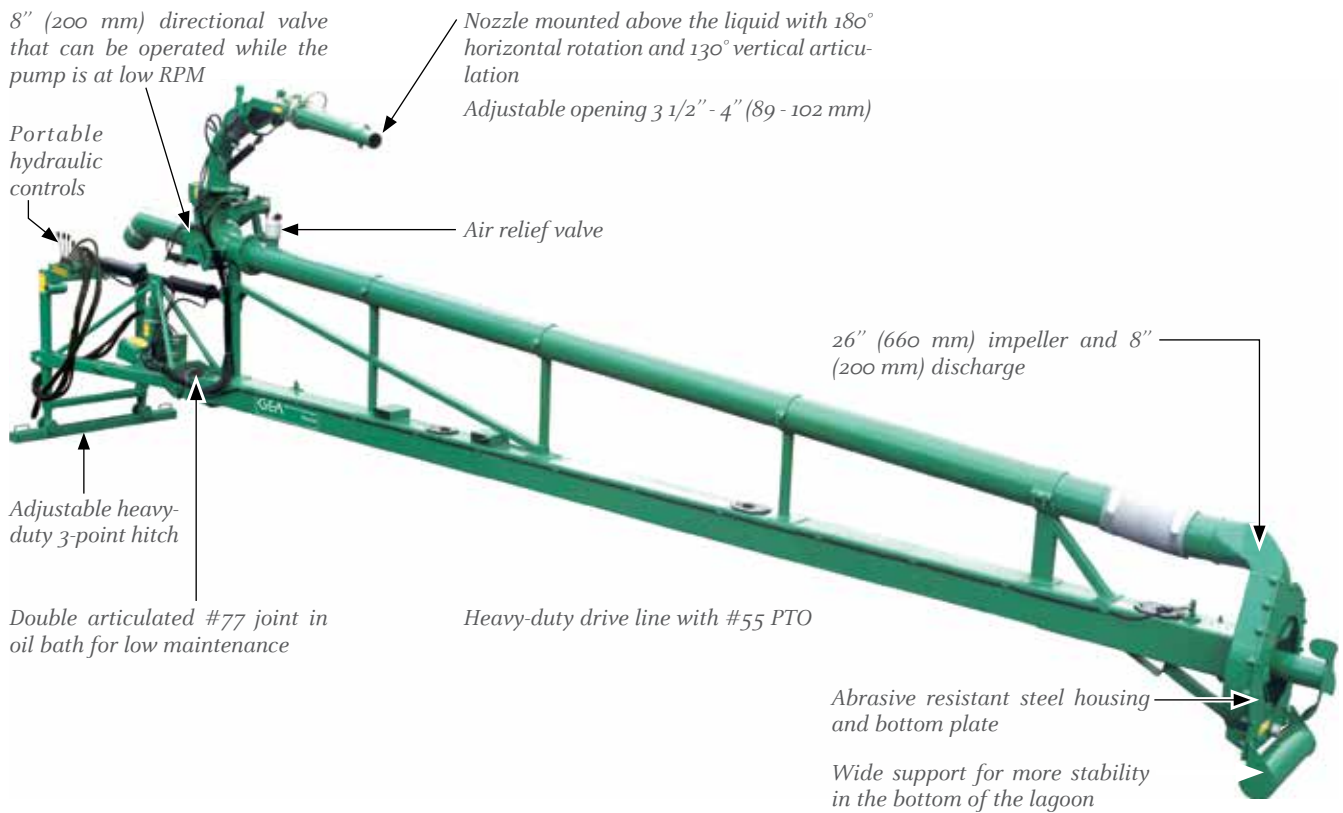
This Super Pump is especially designed for narrow areas and for lagoons up to 25' (7.6 m) deep with steep banks.

Hog Slurry & Dairy Manure	Maximum consistency 2" (51 mm)	
	<input checked="" type="checkbox"/> Straw	<input checked="" type="checkbox"/> Sawdust
<input type="checkbox"/> Sand		

To handle heavy slurry using a tractor with a minimum of 120 HP. 540 RPM only.



Pump Lengths Available	
Length	Pit depth
32' (9.75 m)	25' (7.62 m)



Articulated Pump



Adjustable Heavy-Duty 3-Point Hitch

Optional on the 18' (5.5 m) and 21' (6.4 m) model. Standard on the 24' (7.32 m) model.



Wheels and Draw Bar Kit For hauling.



Remote Control

To operate the pump and its multiple functions from inside the cab using 1 hydraulic outlet.



Drive Line in Oil Bath



Knife Kit on Propeller

To cut fibrous material and aid in the discharge of manure.
On Agi-Pompe only.



Low Pressure Discharge Elbow

Reduces the pressure of the loading pipe discharge.



Remote Grease Line Kit

To lubricate the bearing housing without removing the pump.



Abrasive Resistant Steel Housing / Bottom Plate

To pump manure containing sand.

Other Options

Articulated Housing

The Articulated Housing is a valuable, time saving option. The agitation nozzle combined with the 40° vertical rotation of the articulated housing creates enough turbulence to significantly reduce the time needed to homogenize your main storage. It can be installed on the Articulated or the Lagoon Agi-Pompe.



Articulated Agi-Pompe with the optional articulated housing



Lower Housing Articulation



Articulated Loading Pipe

This loading pipe is made of durable aluminum and requires no clamps or hoses. The Articulated Loading Pipe is quick and easy to set up directly from the tractor. It can be installed on lagoon and articulated pumps.

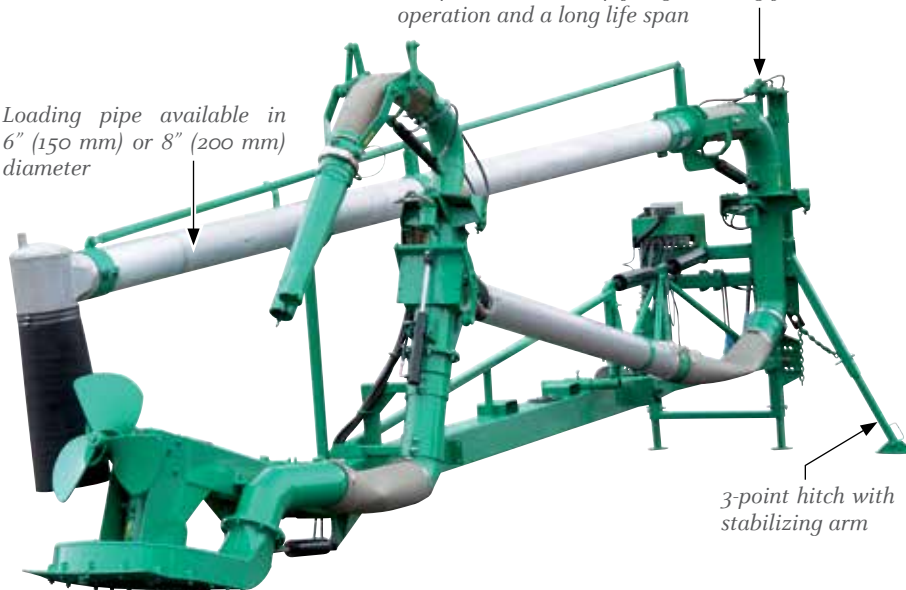
The articulated loading pipe measures 29' (8.84 m) from the center pivot to the discharge elbow end.



Articulated Loading Pipe installed on an Articulated Agi-Pompe

Pivoting system constructed with a large diameter sprocket and a top flange bearing for accurate operation and a long life span

Loading pipe available in 6" (150 mm) or 8" (200 mm) diameter



3-point hitch on lagoon pump



Loading Pipes

Loading Pipe on Tripod

Key Features

- Aluminum loading pipe measuring 25' (7.62 m) long;
- 6" (150 mm) discharge or 8" (200 mm) discharge for faster loading and less velocity;
- Available with 20°, 70° or 90° elbows.



Loading Pipe on Wheels

Key Features

- 8" (200 mm) to 10" (250 mm) loading pipe to decrease the velocity by 36% and reduce the foaming produced when using a high output pump;
- Steel loading pipe measuring 30' (9.14 m) long;
- Hose adapter at the intake.

Optional

- Hydraulic height adjustment;
- Accessories basket.





We live our values.

Excellence • Passion • Integrity • Responsibility • GEA-versity

GEA Group is a global engineering company with multi-billion euro sales and operations in more than 50 countries. Founded in 1881, the company is one of the largest providers of innovative equipment and process technology. GEA Group is listed in the STOXX® Europe 600 index.

GEA North America

GEA Farm Technologies Canada Inc.

4591, boul. St-Joseph, Drummondville, Qc, Canada J2A 0C6
Tel +1 819 477 7444, Fax +1 819 477 5565
www.gea.com

GEA Farm Technologies, Inc.

1880 Country Farm Drive, Naperville, IL 60563 USA
Tel +1 800 563 4685, Fax +1 819 477 0486
www.gea.com